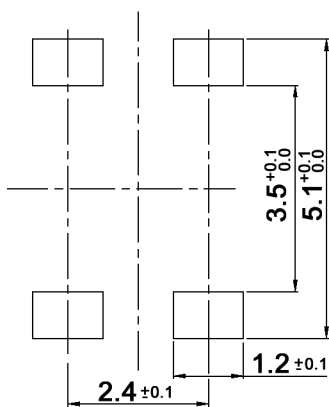
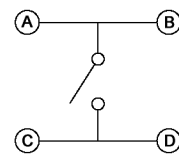


P.C.B. LAYOUT



CIRCUIT DIAGRAM



Compliance: RohS III (2015/863/EU)

Tolerances: max. ±0.20mm	Date	Name
	01/15	dr
Packaging	10/20	dr
Temperatures	07/15	dr
Modifications	Date	Name

**DTS 309 C-T**

**30 32 40**

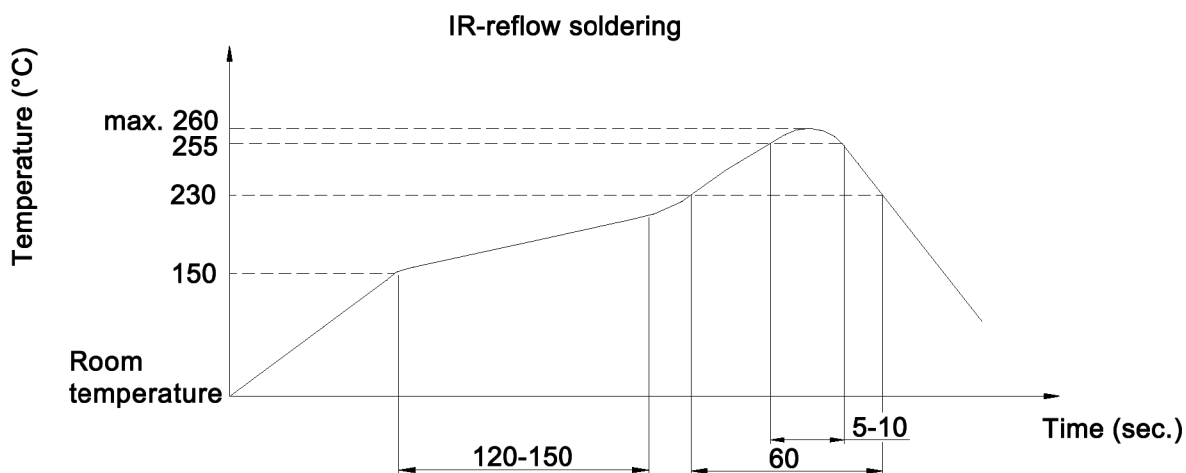
Page

1/3

**Specifications:**

**Contact rating:** 1mA, 5V DC  
**Contact resistance:** 10hm max.  
**Insulation resistance:** 100MOhm min. at 100V DC for 1 minute +/-5sec.  
**Dielectric strength:** 100V AC (50/60Hz) for 1 minute  
**Operating temperature:** -40°C to +85°C  
**Storage temperature:** -40°C to +85°C  
**Electrical life:** 100 000 cycles min.  
**Operating force:** 40gf max.  
**Material:** Terminal: phosphor bronze, silver plated  
Case: high-temp. thermoplastic nylon UL94V-0, molded black  
Contact: stainless steel, silver cladding  
Stem / cover: high-temp. thermoplastic LCP, molded black

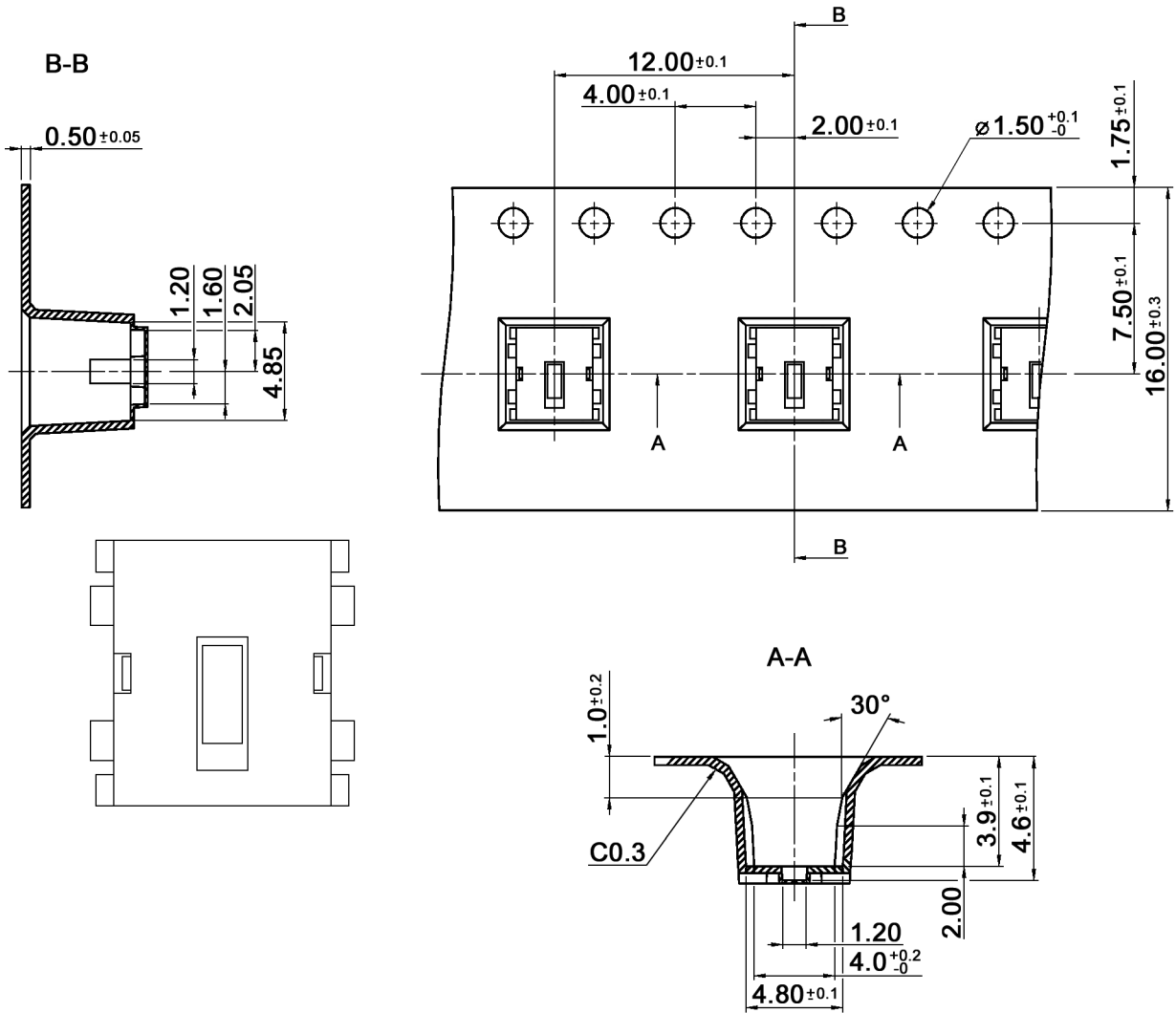
**Soldering conditions:**



Compliance: RohS III (2015/863/EU)

Tolerances: max. ±0.20mm		Date	Name	<b>DTS 309 C-T</b>
		01/15	dr	
Packaging	10/20	dr	<b>knitter-switch</b>	<b>30 32 40</b>
Temperatures	07/15	dr		
Modifications	Date	Name		2/3

Packaging:



Packaging unit: 1200 pcs./reel  
 Compliance: RohS III (2015/863/EU)

Tolerances: $\pm 0.1$ mm			Date	Name	<h1>DTS 309 C-T</h1>
			01/15	dr	
Packaging	10/20	dr	<b>knitter-switch</b>		<h2>30 32 40</h2>
Temperatures	07/15	dr			
Modifications	Date	Name			
					Page
					3/3